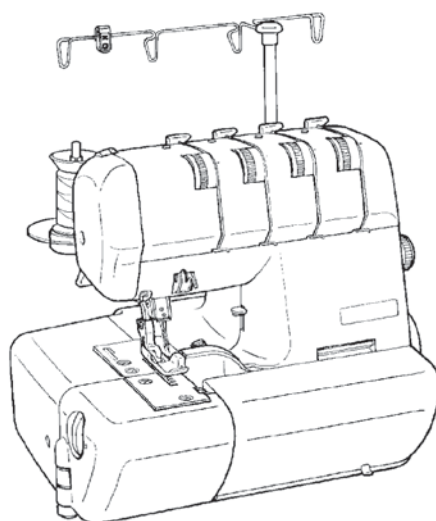


Parts List



H-Class 200S



Please note that on disposal, this product must be safely recycled in accordance with relevant National legislation relating to electrical/electronic products. If in doubt please contact your retailer for guidance.

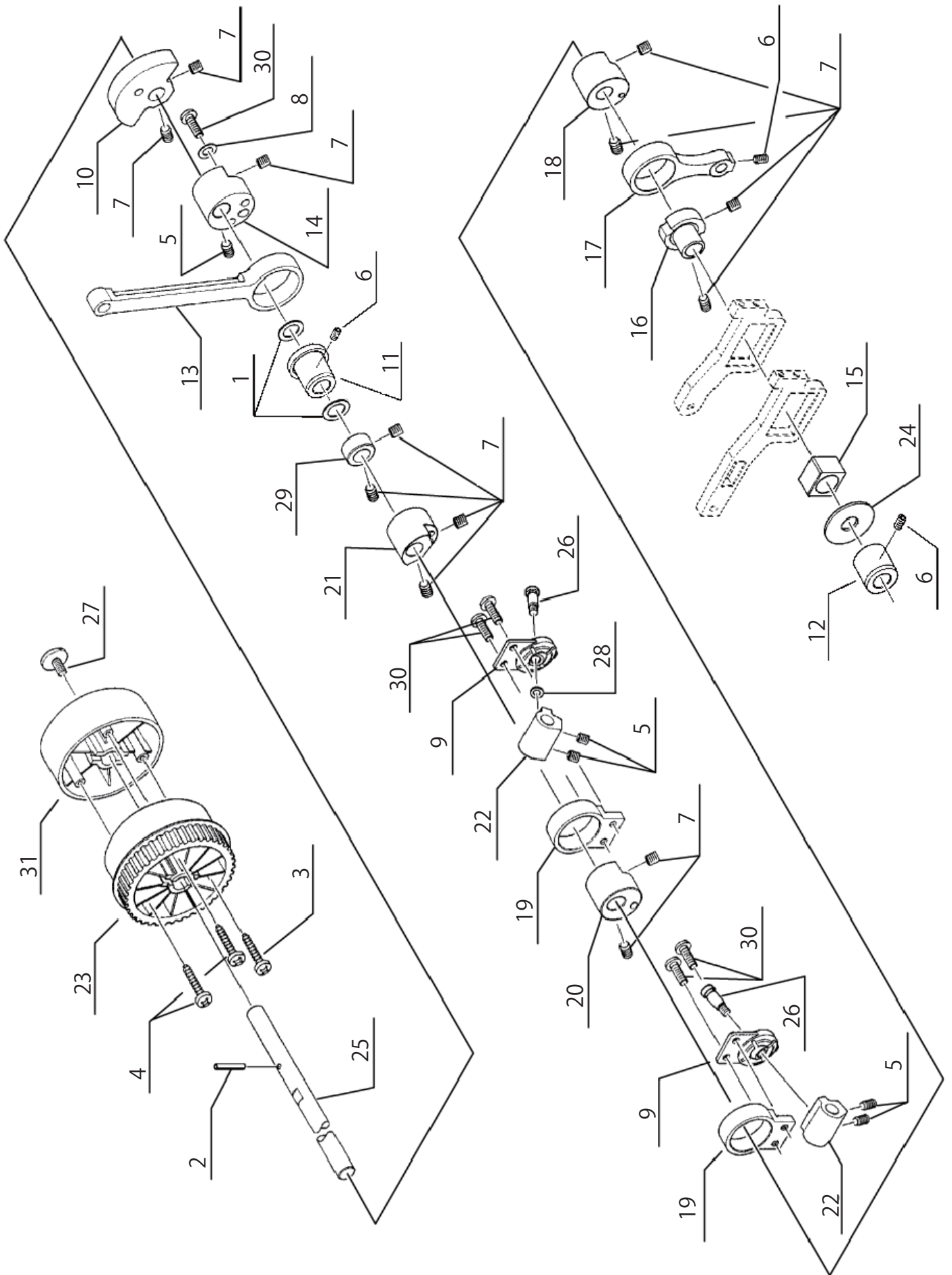


Bitte beachten Sie, dass hinsichtlich der Entsorgung dieses Produkts, vorschriftsmäßig entsprechend der gültigen nationalen Gesetzgebung für elektrische/elektronische Produkte, recycelt werden muss. Bei Zweifel setzen Sie sich bitte mit Ihrem Fachhändler in Verbindung.

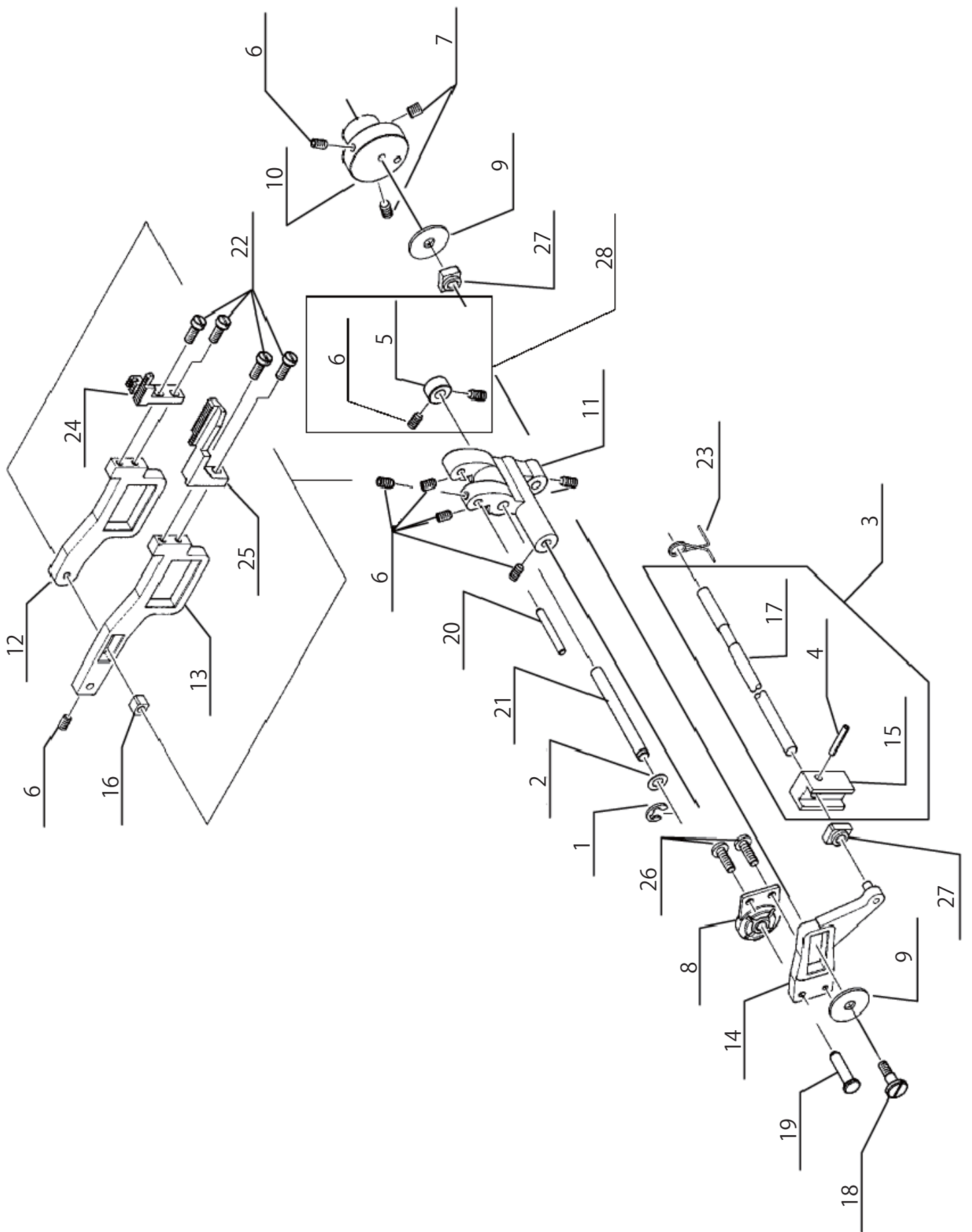


Veillez noter qu'en cas de destruction, ce produit doit bénéficier d'un recyclage sécurisé, conforme à la législation nationale applicable aux produits électriques/électroniques. En cas de doute, veuillez contacter votre distributeur agréé.

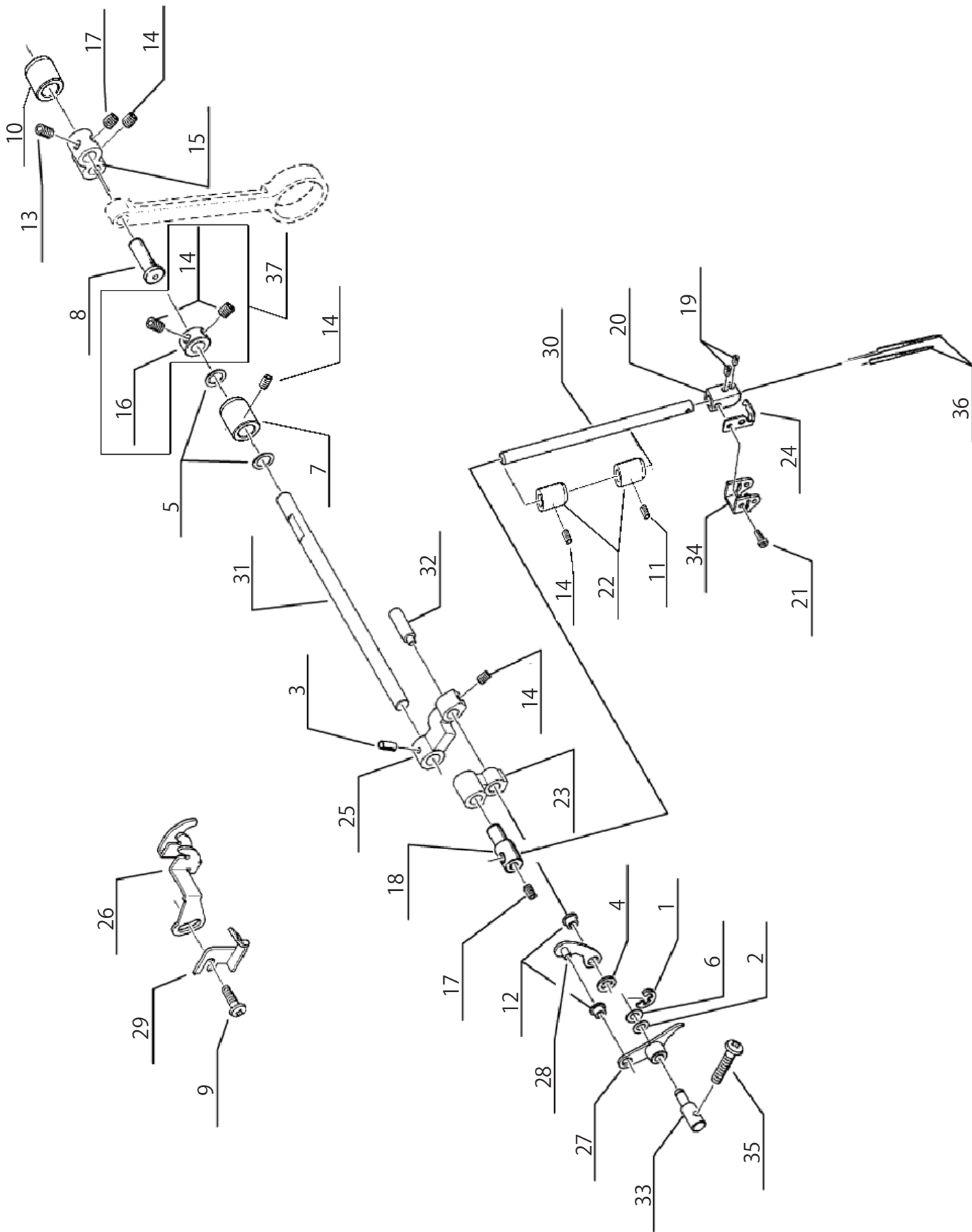
- All casted parts within our products are marked with name of material if allowed by size.
- All molded plastic parts within our products are marked with name of material if allowed by size.



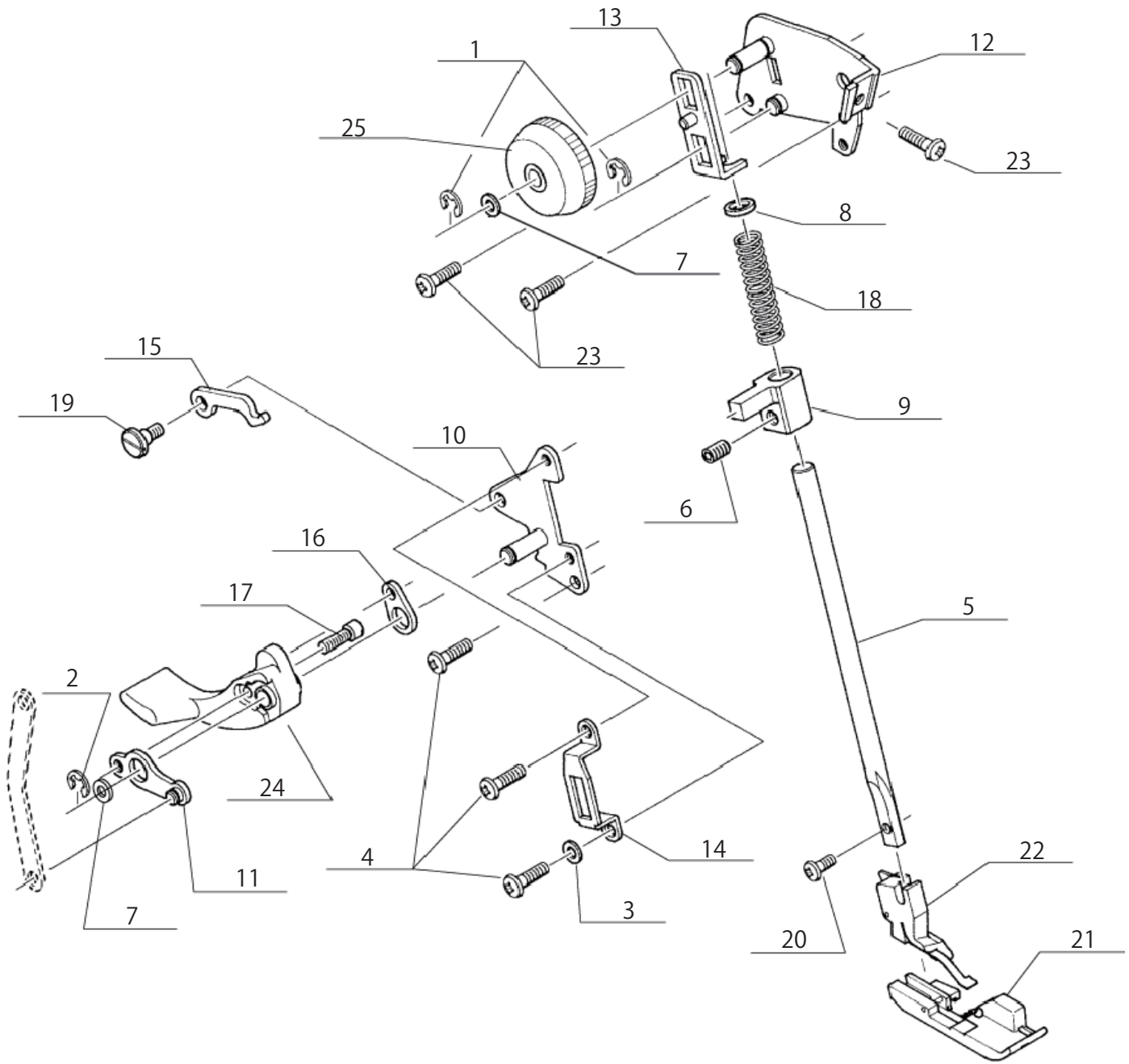
Pos	Part No	Description
1	270 043389	THRUST WASHER
2	270 044066	SPRING PIN
3	270 047181	M4 PHILLIPS SCREW
4	270 057746	TAPPING SCREW
5	415404701	M5 SCREW
6	270 066725	M4 SCREW
7	270 067447	M5 SCREW
8	270 068891	WASHER
9	270 072271	BALL JOINT
10	270 072376	BALANCE CAM
11	N/S	BUSH
12	N/S	BUSH
13	N/S	CRANK ROD
14	N/S	ECCENTRIC CAM
15	N/S	SLIDE BLOCK
16	N/S	ECCENTRIC CAM
17	N/S	CRANK ROD
18	N/S	ECCENTRIC CAM
19	N/S	ECCENTRIC CAM
20	N/S	ECCENTRIC CAM
21	N/S	ECCENTRIC CAM
22	N/S	LOOPER DRIVING ARM
23	270 072667	BELT PULLEY
24	N/S	NYLON WASHER
25	N/S	MAIN SHAFT
26	270 072788	M4 STUD SCREW
27	270 072806	M5 SCREW
28	270 072858	WASHER
29	270 073472	COLLAR
30	270 077042	M4 PHILLIPS SCREW
31	270 079021	HAND WHEEL



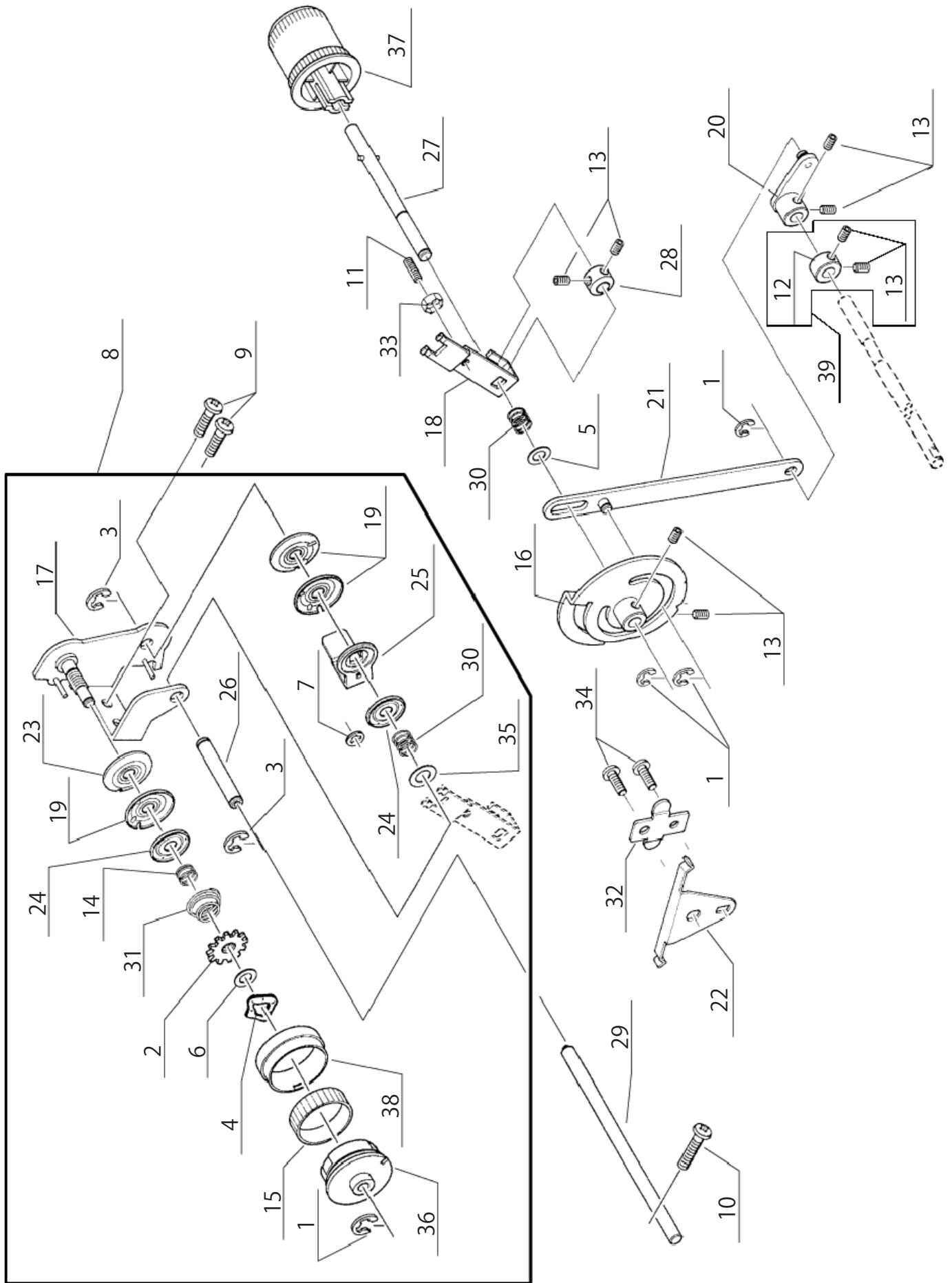
Pos	Part No	Description
1	270 008400	E5 CLIP-ON-WASHER
2	270 032316	WASHER
3	N/S	FEED REGULATING BLOCK SET
4	270 064179	SPRING PIN
5	N/S	COLLAR
6	270 066725	M4 SCREW
7	270 067447	M5 SCREW
8	270 072271	BALL JOINT
9	N/S	THRUST WASHER
10	N/S	ECCENTRIC CAM
11	N/S	FEED ARM
12	N/S	FEED BASE
13	N/S	D.F.FEED BASE
14	270 072626	FEED REGULATING ARM
15	270 072632	FEED REGULATING BLOCK
16	N/S	SLIDE BLOCK
17	N/S	SHAFT
18	N/S	PIN
19	N/S	PIN
20	N/S	SHAFT
21	N/S	SHAFT
22	N/S	M3.5 SCREW
23	270 072825	TORSION SPRING
24	270 077015	REAR FEED DOG
25	270 077016	FRONT FEED DOG
26	270 077042	M4 PHILLIPS SCREW
27	N/S	SLIDE BLOCK
28	N/S	COLLAR SET



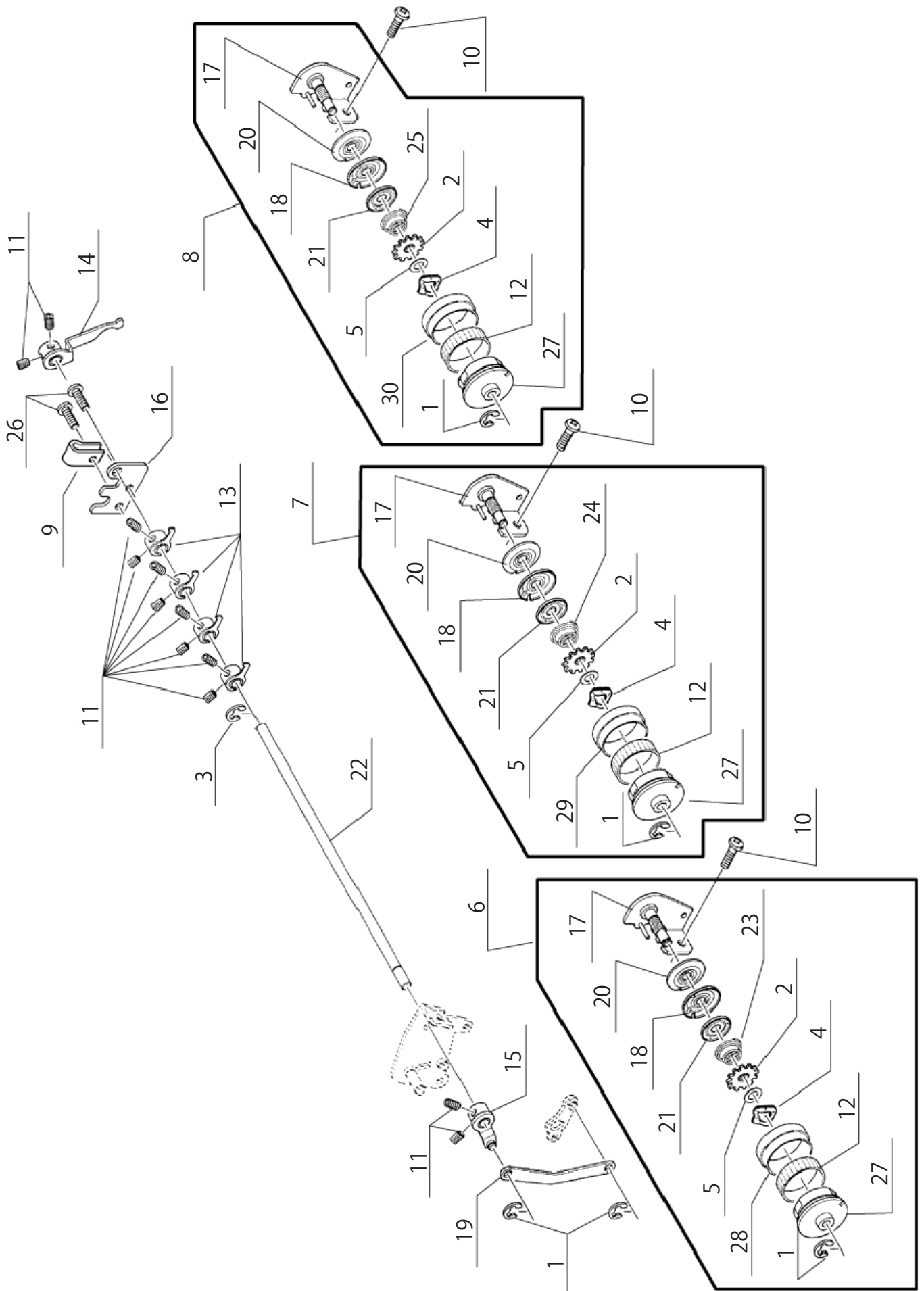
Pos	Part No	Description
1	415404201	E4 CLIP-ON-WASHER
2	270 002206	WASHER
3	N/S	PIPE KNOCK PIN
4	270 037910	CLIP-ON-WASHER
5	270 043390	THRUST WASHER
6	270 043858	WASHER
7	N/S	BUSH
8	N/S	STUD
9	270 061221	M4 PHILLIPS SCREW
10	N/S	BUSH
11	270 064359	M4 SCREW
12	270 066437	BUSH
13	415404701	M5 SCREW
14	270 066725	M4 SCREW
15	270 067440	CRANK-ROD ARM
16	270 067444	COLLAR
17	270 067447	M5 SCREW
18	N/S	HOLDER
19	270 067847	#7 SCREW
20	270 072270	NEEDLE CLAMP
21	270 072274	M3 SCREW
22	N/S	BUSH
23	N/S	NEEDLE BAR CRANK
24	270 072337	THREAD GUIDE
25	N/S	MAIN SHAFT ARM LEVER
26	N/S	THREAD GUIDE
27	N/S	OSCILLATING LEVER
28	270 072752	CONNECTING ARM
29	N/S	THREAD GUIDE
30	270 072777	NEEDLE BAR
31	N/S	UPPER SHAFT
32	N/S	PIN
33	N/S	CENTER PIN
34	270 072855	THREADER POSITIONER
35	270 077035	M4 PHILLIPS SCREW
36		NEEDLE
37	N/S	COLLAR SET



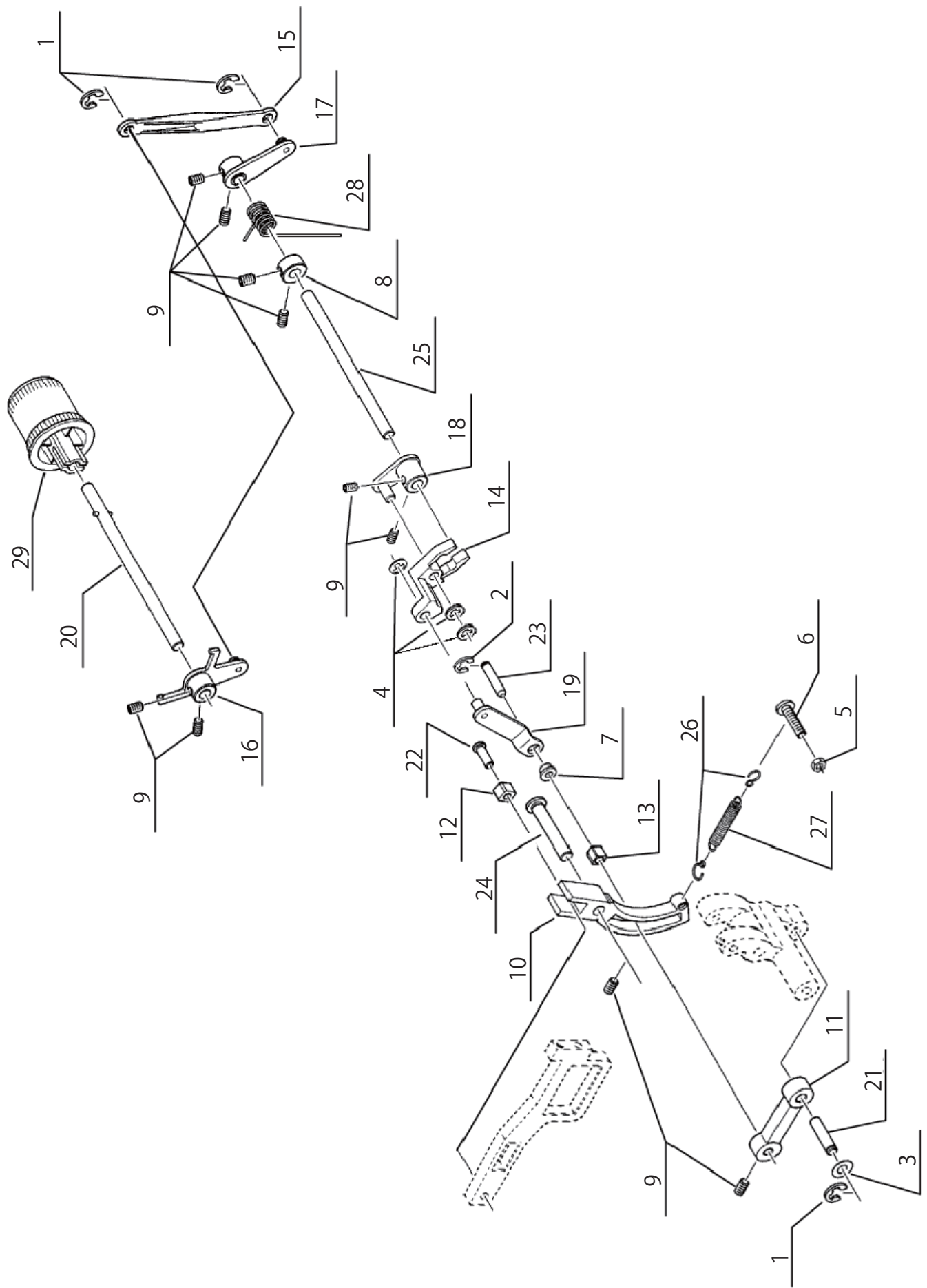
Pos	Part No	Description
1	415404201	E4 CLIP-ON-WASHER
2	270 008400	E5 CLIP-ON-WASHER
3	270 058220	WASHER
4	270 061221	M4 PHILLIPS SCREW
5	270 063278	PRESSER BAR
6	270 067447	M5 SCREW
7	N/S	WASHER
8	270 072326	WASHER
9	N/S	PRESSER BAR GUIDE BLOCK
10	N/S	BRACKET
11	N/S	TENSION RELEASE ARM
12	N/S	BRACKET
13	N/S	GUIDE PLATE
14	N/S	GUIDE PLATE
15	N/S	TENSION RELEASE LEVER
16	270 072766	LIFTER
17	270 072807	M4 STUD SCREW
18	N/S	COMPRESSION SPRING
19	N/S	§#4 STUD SCREW
20	270 072849	#7 PHILLIPS SCREW
21	270 077006	PRESSER FOOT
22	270 077017	PRESSER FOOT HOLDER
23	270 077042	M4 PHILLIPS SCREW
24	270 079025	PRESSER FOOT LIFTER
25	N/S	PRESSER CONTROL KNOB



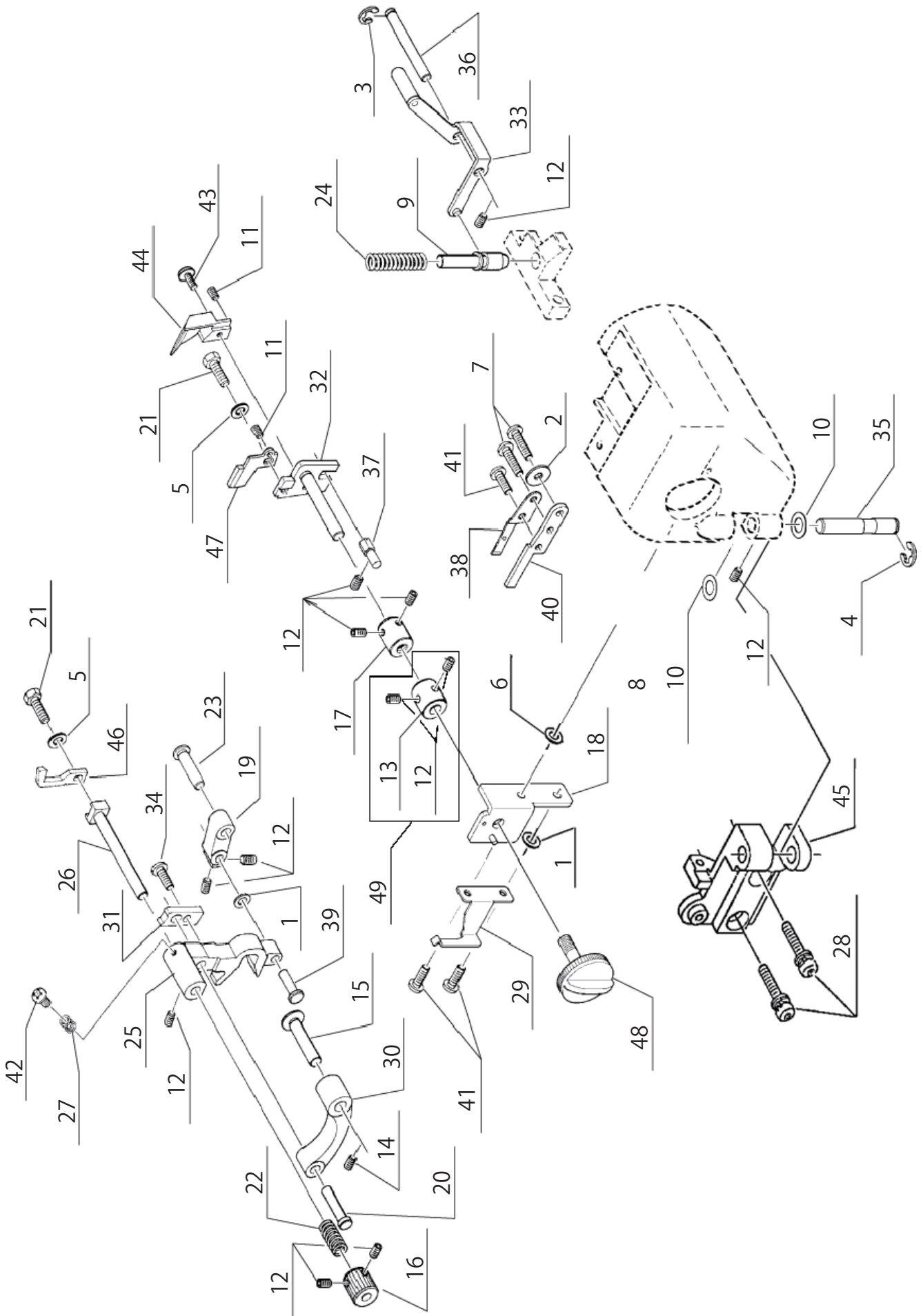
<u>Pos</u>	<u>Part No</u>	<u>Description</u>
1	415404201	E4 CLIP-ON-WASHER
2	N/S	TOOTHED WASHER
3	270 008400	E5 CLIP-ON-WASHER
4	270 028735	CRINKLE WASHER
5	270 032316	WASHER
6	270 032949	WASHER
7	270 032949	CLIP-ON-WASHER
8	270 032949	TENSION DIAL SET (LOWER LOOPER)
9	270 061222	M4 PHILLIPS SCREW
10	270 061225	M4 PHILLIPS SCREW
11	N/S	M4 SCREW
12	N/S	COLLAR
13	270 066725	M4 SCREW
14	N/S	COMPRESSION SPRING
15	N/S	RUBBER BAND
16	N/S	STITCH LENGTH CONTROL CAM
17	N/S	BRACKET
18	N/S	TENSION CONTROL PLATE
19	N/S	TENSION DISC (B)
20	N/S	STITCH LENGTH CONTROL ARM
21	N/S	CONNECTING PLATE
22	N/S	LEAF SPRING
23	270 072749	TENSION DISC (A)
24	270 072761	PRESSER DISC
25	N/S	PRESSER PLATE
26	N/S	SHAFT
27	N/S	SHAFT
28	N/S	COLLAR
29	N/S	SHAFT
30	N/S	COMPRESSION SPRING
31	N/S	COMPRESSION SPRING
32	N/S	STOPPER
33	270 073299	M4 TORQUE NUT
34	270 077042	M4 PHILLIPS SCREW
35	270 077056	WASHER
36	N/S	THREAD TENSION DIAL
37	N/S	STITCH LENGTH CONTROL DIAL
38	N/S	THREAD TENSION RING
39	N/S	COLLAR SET



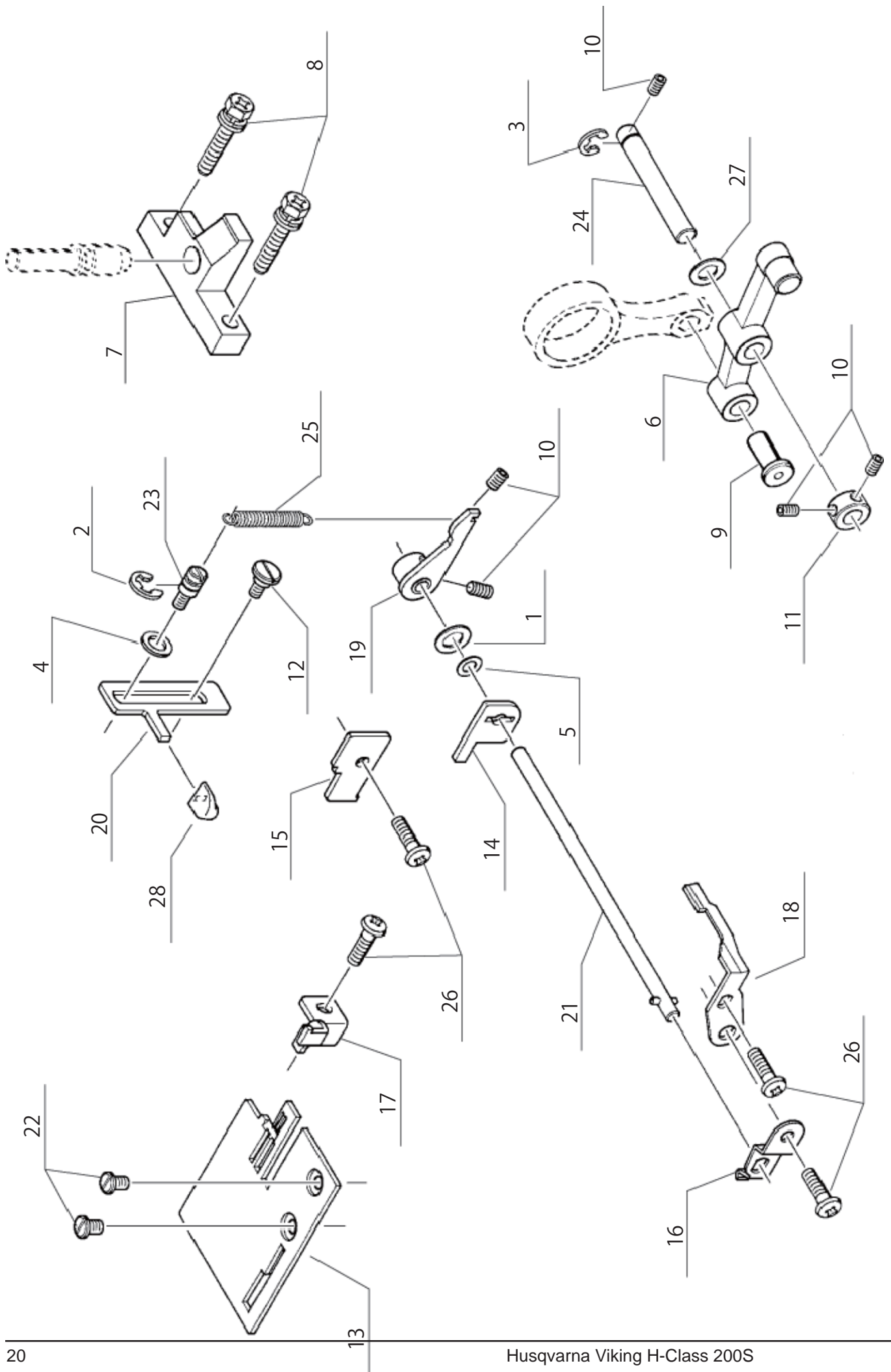
Pos	Part No	Description
1	415404201	E4 CLIP-ON-WASHER
2	N/S	TOOTHED WASHER
3	270 008400	E5 CLIP-ON-WASHER
4	270 028735	CRINKLE WASHER
5	270 032949	WASHER
6	416474501	TENSION DIAL SET (LEFT NEEDLE)
7	416474601	TENSION DIAL SET (RIGHT NEEDLE)
8	416474701	TENSION DIAL SET (UPPER LOOPER)
9	270 058741	CORD GUARD
10	270 061222	M4 PHILLIPS SCREW
11	270 066725	M4 SCREW
12	N/S	RUBBER BAND
13	N/S	TENSION RELEASE PLATE (A)
14	N/S	TENSION RELEASE PLATE (B)
15	N/S	TENSION RELEASE ARM
16	N/S	TENSION RELEASE GUIDE
17	N/S	BRACKET
18	N/S	TENSION DISC (B)
19	N/S	TENSION RELEASE LINK
20	270 072749	TENSION DISC (A)
21	270 072761	PRESSER DISC
22	N/S	SHAFT
23	270 072830	COMPRESSION SPRING
24	270 072831	COMPRESSION SPRING
25	N/S	COMPRESSION SPRING
26	270 077042	M4 PHILLIPS SCREW
27	N/S	THREAD TENSION DIAL
28	N/S	THREAD TENSION RING
29	N/S	THREAD TENSION RING
30	N/S	THREAD TENSION RING



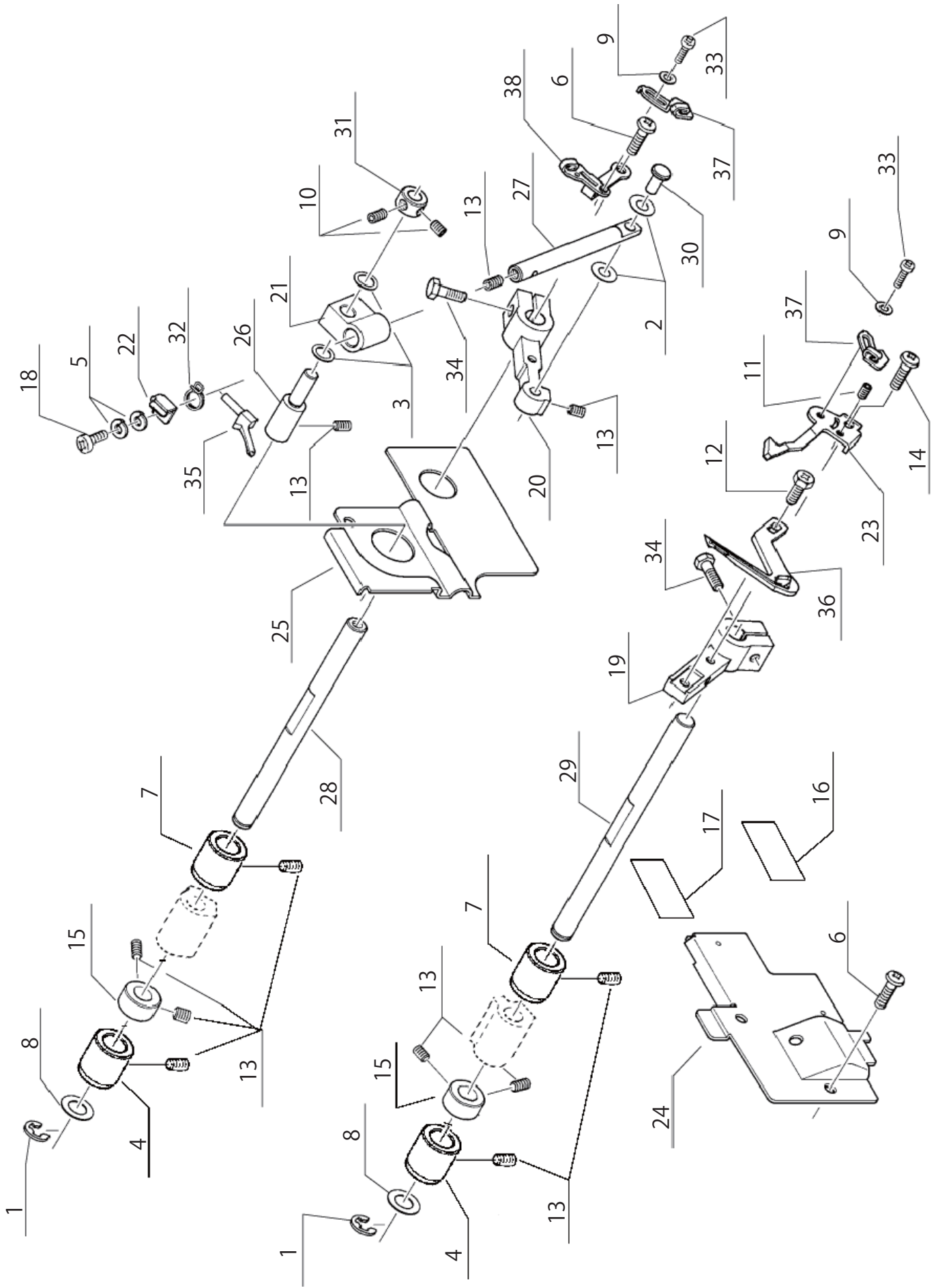
<u>Pos</u>	<u>Part No</u>	<u>Description</u>
1	415404201	E4 CLIP-ON-WASHER
2	270 001520	E3 CLIP-ON-WASHER
3	270 002206	WASHER
4	N/S	CLIP-ON-WASHER
5	270 062215	M4 NUT
6	270 066352	M4 PHILLIPS SCREW
7	270 066437	BUSH
8	N/S	COLLAR
9	270 066725	M4 SCREW
10	270 072627	D.F. LOCKING ARM
11	N/S	D.F. LINK
12	N/S	SLIDE BLOCK
13	N/S	SLIDE BLOCK
14	N/S	D.F.ARM
15	270 072686	CONNECTING ROD
16	N/S	D.F. ARM (A)
17	N/S	D.F. ARM (C)
18	N/S	D.F. ARM (D)
19	N/S	CONNECTING PLATE
20	N/S	SHAFT
21	N/S	PIN
22	N/S	PIN
23	N/S	SHAFT
24	N/S	PIN
25	N/S	SHAFT
26	N/S	HOOK FOR SPRING
27	N/S	EXTENSION SPRING
28	N/S	TORSION SPRING
29	416474801	D.F. DIAL



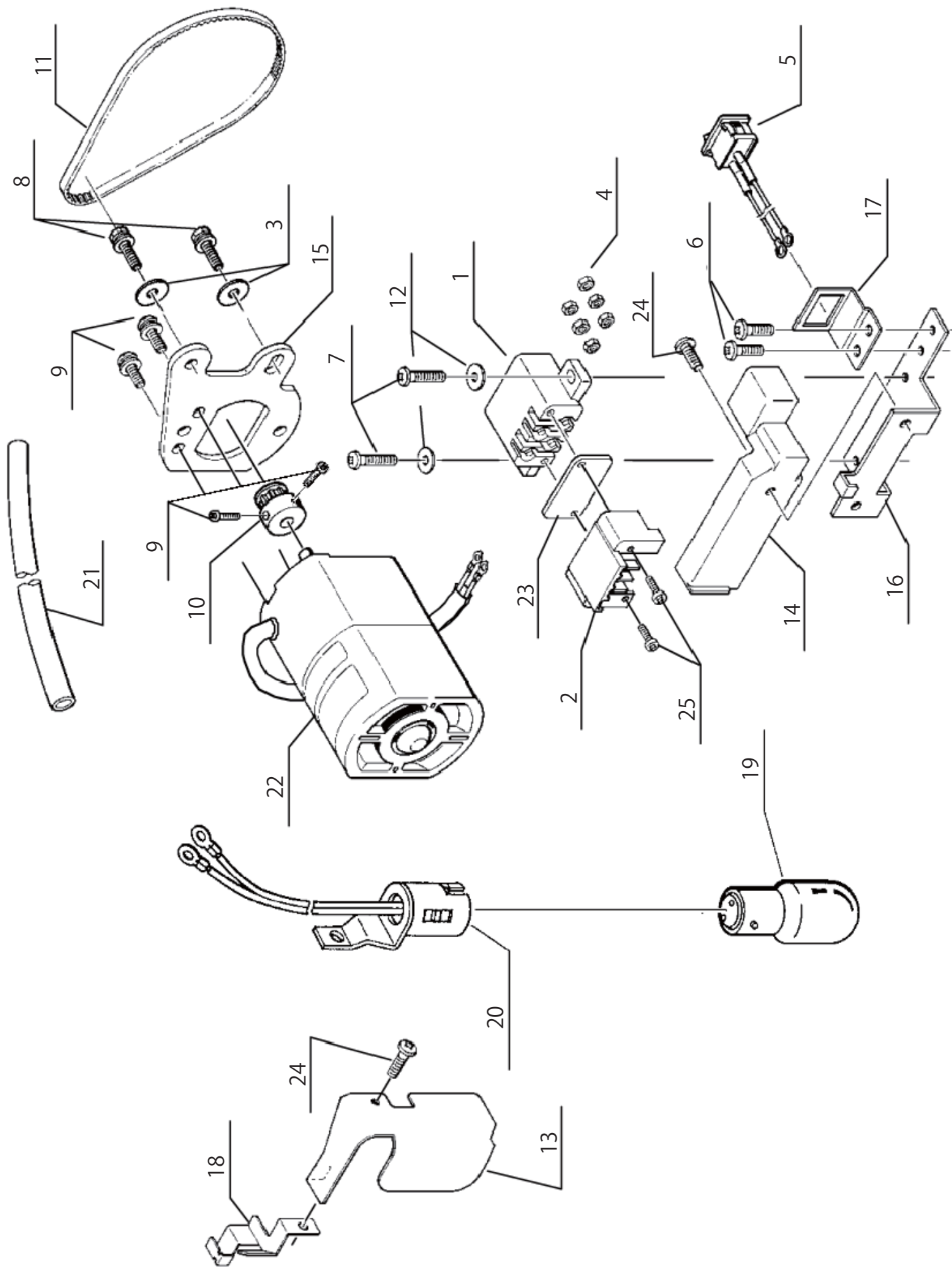
Pos	Part No	Description
1	N/S	WASHER
2	270 002744	WASHER
3	270 008400	E5 CLIP-ON-WASHER
4	270 010963	E6 CLIP-ON-WASHER
5	270 025670	WASHER
6	270 043858	WASHER
7	270 061224	M4 PHILLIPS SCREW
8	270 061588	WASHER
9	N/S	PIN
10	270 063501	WASHER
11	270 064653	M3 SCREW
12	270 066725	M4 SCREW
13	270 067445	COLLAR
14	270 067447	M5 SCREW
15	N/S	STUD
16	N/S	KNIFE RELEASE KNOB
17	N/S	COLLAR
18	N/S	KNOB MOUNTING BRACKET
19	N/S	LINK (B)
20	N/S	STUD
21	N/S	M3.5 BOLT
22	N/S	COMPRESSION SPRING
23	N/S	STUD
24	N/S	COMPRESSION SPRING
25	N/S	DRIVING ARM
26	N/S	SHAFT
27	N/S	COMPRESSION SPRING
28	N/S	M5 SCREW
29	N/S	SPRING PLATE
30	N/S	LINK
31	N/S	POSITIONER
32	270 072704	LOWER KNIFE HOLDER
33	N/S	LEVER
34	270 072791	M4 SCREW
35	270 072815	SHAFT
36	N/S	SHAFT
37	270 072819	HEXAGONAL KNIFE
38	N/S	LEAF SPRING
39	N/S	STUD
40	N/S	NEEDLE PLATE HOLDER
41	270 077042	M4 PHILLIPS SCREW
42	270 077044	M3 PHILLIPS SCREW
43	270 077053	M3 PHILLIPS SCREW
44	270 079029	LOWER KNIFE COVER
45	N/S	HINGE
46	270 079089	UPPER KNIFE
47	270 079090	LOWER KNIFE
48	416474901	CONTROL KNOB
49	N/S	COLLAR SET



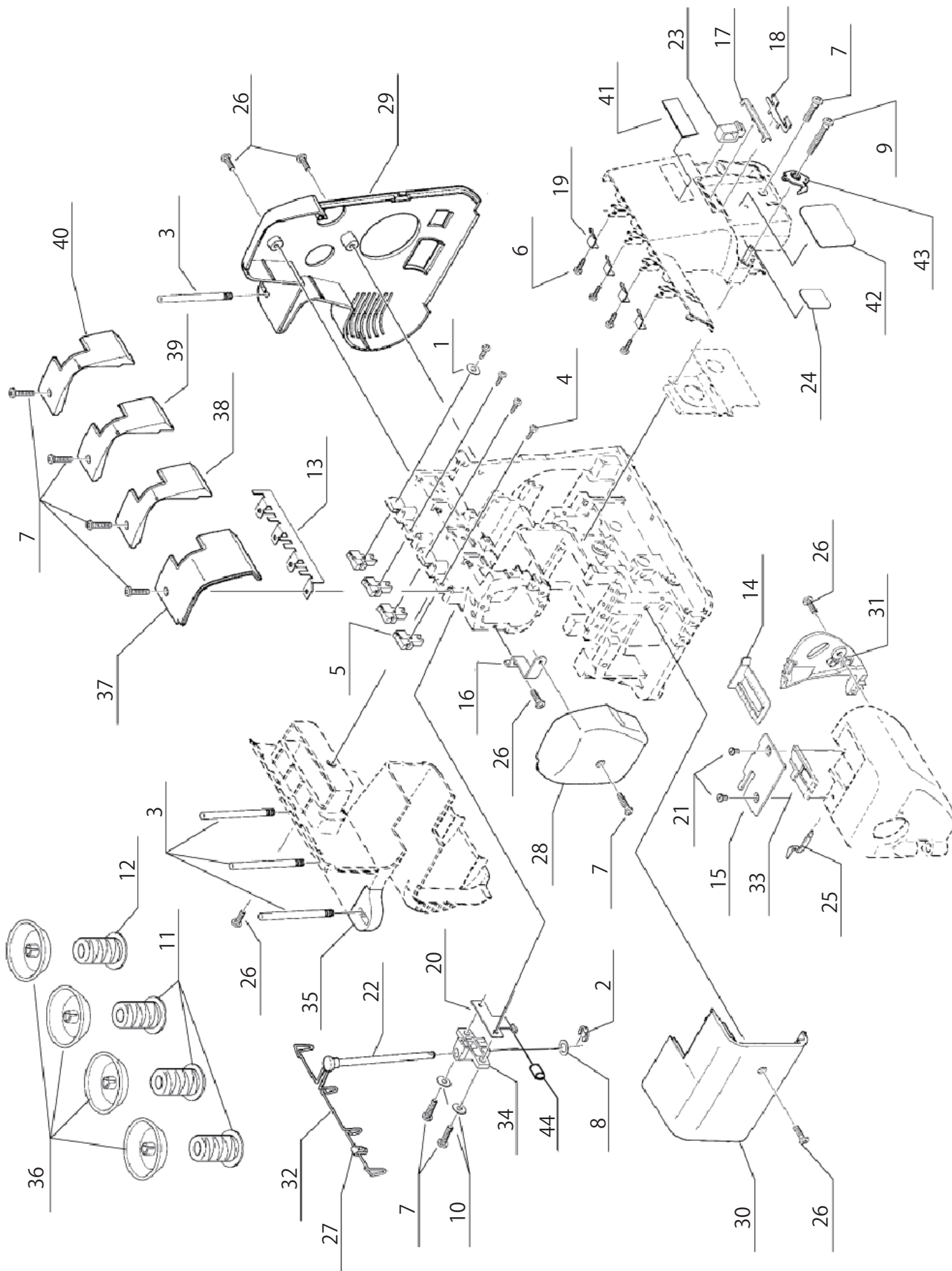
<u>Pos</u>	<u>Part No</u>	<u>Description</u>
1	N/S	WASHER
2	270 008400	E5 CLIP-ON-WASHER
3	270 010963	E6 CLIP-ON-WASHER
4	270 032316	WASHER
5	270 032949	WASHER
6	270 063163	KNIFE LEVER ASSEMBLY
7	N/S	FIXING BASE
8	N/S	M5 BOLT WITH WASHER
9	N/S	STUD
10	270 066725	M4 SCREW
11	270 067445	COLLAR
12	270 068380	M4 STUD SCREW
13	270 072710	NEEDLE PLATE
14	416475001	UPPER CUTTING BLADE
15	416475101	LOWER CUTTING BLADE
16	N/S	LEAF SPRING
17	N/S	NEEDLE PLATE HOLDER
18	N/S	NEEDLE RECEIVER (B)
19	N/S	THREAD CUTTER ARM
20	N/S	SLIDER
21	N/S	M4 SCREW
22	270 072791	M4 SCREW
23	N/S	M4 STUD SCREW
24	N/S	SHAFT
25	270 072826	EXTENSION SPRING
26	270 077042	M4 PHILLIPS SCREW
27	270 077056	WASHER
28	N/S	KNOB



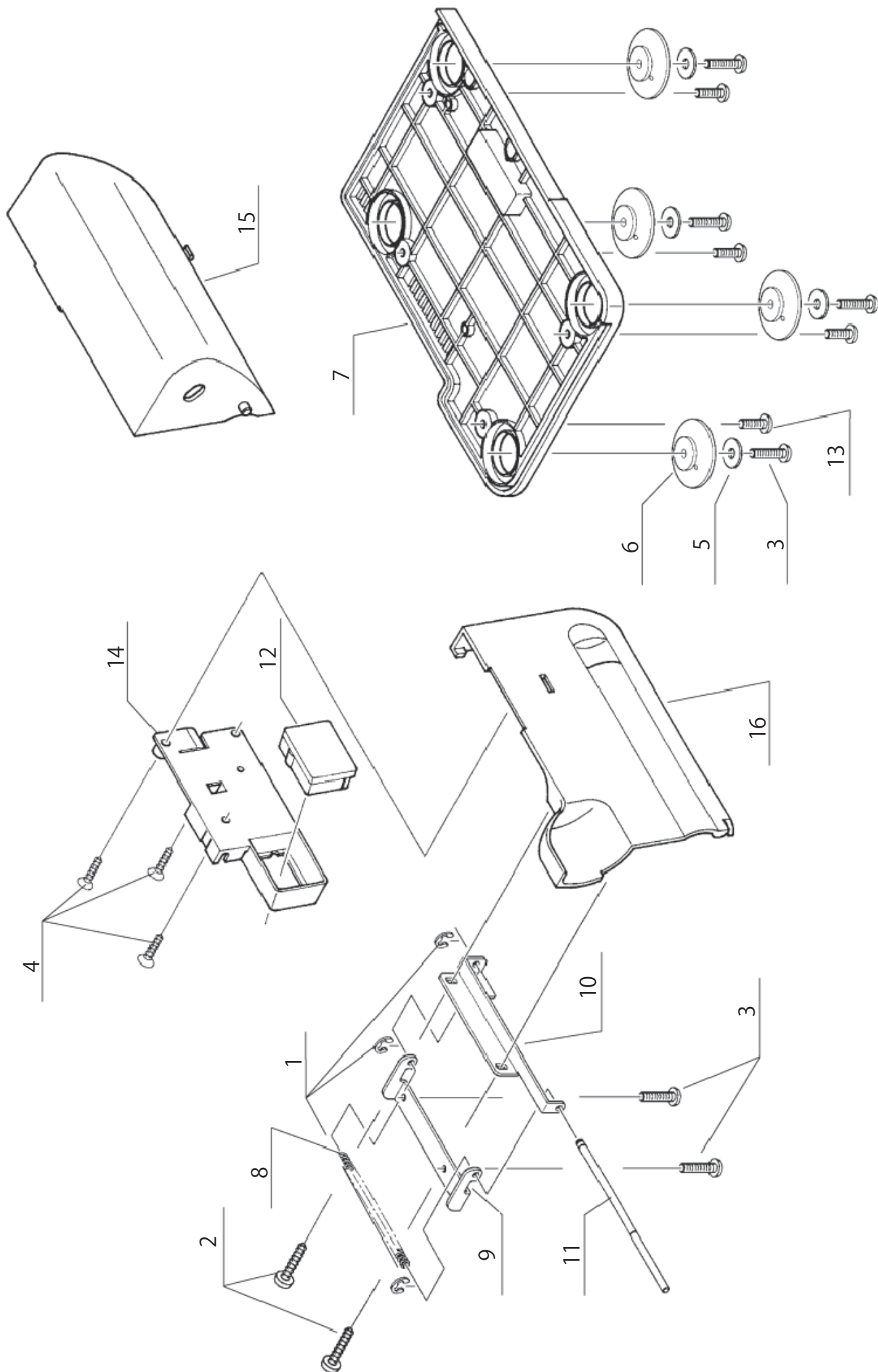
<u>Pos</u>	<u>Part No</u>	<u>Description</u>
1	270 010963	E6 CLIP-ON-WASHER
2	N/S	THRUST WASHER
3	N/S	WASHER
4	N/S	BUSH
5	270 053740	SPRING PIN
6	270 061222	M4 PHILLIPS SCREW
7	N/S	BUSH
8	270 061588	WASHER
9	270 063805	WASHER
10	270 064359	M4 SCREW
11	270 064653	M3 SCREW
12	270 065818	M4 BOLT
13	270 066725	M4 SCREW
14	270 067251	M3.5 PHILLIPS SCREW
15	270 067444	COLLAR
16	N/S	SEAL
17	N/S	SEAL
18	270 072367	M4 BOLT
19	270 072639	LOOPER BASE
20	270 072640	UPPER LOOPER SUPPORTING ARM
21	N/S	PIVOT
22	N/S	SUPPORT PLATE
23	270 072747	NEEDLE RECEIVER (A)
24	N/S	BED COVER
25	N/S	LOOPER COVER
26	N/S	PIN
27	N/S	LOOPER SLIDE SHAFT
28	N/S	SHAFT
29	N/S	SHAFT
30	N/S	PIN
31	270 072821	COLLAR
32	270 072827	THREAD GUIDE
33	270 073900	M3 PHILLIPS SCREW
34	270 073973	M4 BOLT
35	270 077013	UPPER LOOPER
36	270 077014	LOWER LOOPER
37	N/S	THREAD GUIDE (B)
38	N/S	THREAD GUIDE (A)



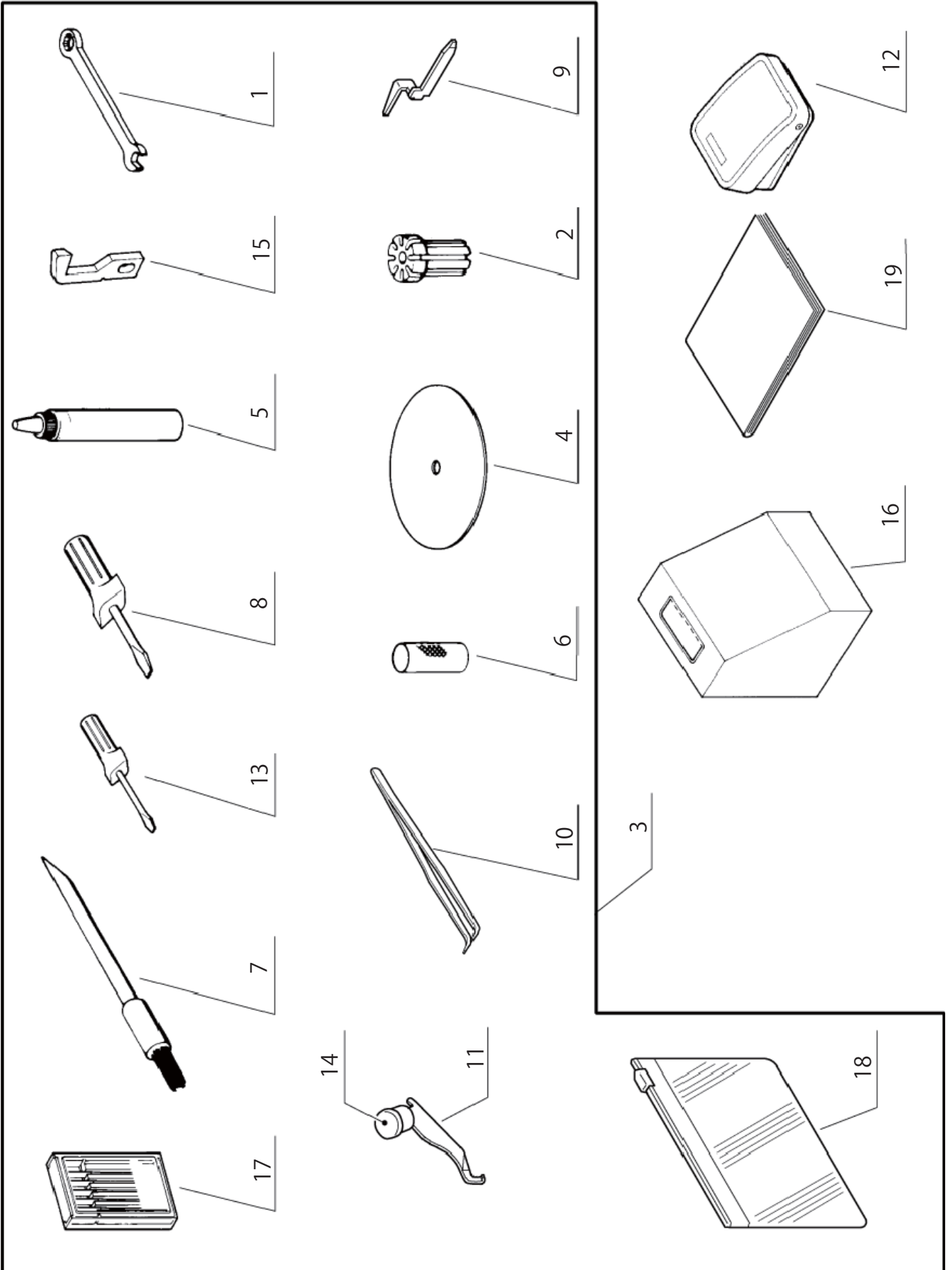
<u>Pos</u>	<u>Part No</u>	<u>Description</u>
1	270 040110	TERMINAL BLOCK
2	270 041892	TERMINAL BLOCK COVER
3	N/S	WASHER
4	270 044498	M3 NUT
5	270 059181	SWITCH ASSEMBLY
6	270 061221	M4 PHILLIPS SCREW
7	270 061224	M4 PHILLIPS SCREW
8	N/S	M5 BOLT WITH WASHER
9	270 066725	SCREW
10	270 066941	MOTOR PULLEY
11	270 067701	TIMING BELT
12	270 068891	WASHER
13	270 072385	REFLECTING PLATE
14	N/S	TERMINAL CASE
15	N/S	MOTOR BRACKET
16	N/S	TERMINAL BRACKET
17	N/S	SWITCH BRACKET
18	N/S	CORD GUIDE
19	270 072936	LIGHT BULB,120V-15W
20	270 072938	LAMP HARNESS
21	270 072940	VINYL TUBE
22	270 072950	MOTOR
23	N/S	TERMINAL BLOCK COVER
24	270 077042	M4 PHILLIPS SCREW
25	N/S	M3 PHILLIPS SCREW



<u>Pos</u>	<u>Part No</u>	<u>Description</u>
1	270 001424	WASHER
2	270 010963	E6 CLIP-ON-WASHER
3	270 044125	SPOOL PIN
4	270 047181	TAPPING SCREW
5	416475201	THREAD GUIDE
6	270 058024	TAPPING SCREW
7	270 061225	M4 PHILLIPS SCREW
8	270 061588	WASHER
9	N/S	M4 PHILLIPS SCREW
10	270 068891	WASHER
11	270 072288	THREAD
12	N/S	THREAD
13	416475301	CORD GUARD
14	270 072707	CLOTH GUIDE
15	270 072709	COVER PLATE
16	N/S	BRACKET
17	N/S	THREAD GUIDE PLATE
18	N/S	THREAD GUIDE (A)
19	N/S	THREAD GUIDE (B)
20	N/S	LEAF SPRING
21	270 072791	M4 SCREW
22	270 072820	EXTENSION BAR
23	270 072840	SPONGE
24	N/S SEAL	
25	270 072884	DETACHABLE INSERT PLATE
26	270 077042	M4 PHILLIPS SCREW
27	270 079000	DETACHABLE CORD GUIDE
28	416475401	FACE COVER
29	416475501	SIDE COVER
30	N/S	BED COVER
31	N/S	BRACKET
32	270 079018	SHUTTER
33	270 079019	GUIDE PLATE
34	270 079027	HOLDER
35	416475601	SPOOL STAND
36	270 079070	SPOOL PIN
37	N/S	TOP COVER
38	N/S	TOP COVER
39	N/S	TOP COVER
40	N/S	TOP COVER
41	N/S	NAME PLATE
42	N/S	THREADING SHEET
43	N/S	THREAD GUIDE
44	N/S	TUBE



<u>Pos</u>	<u>Part No</u>	<u>Description</u>
1	270 001520	E3 CLIP-ON-WASHER
2	N/S	TAPPING SCREW
3	270 061224	M4 PHILLIPS SCREW
4	N/S	TAPPING SCREW
5	270 068891	WASHER
6	270 072598	RUBBER CUSHION
7	N/S	BASE
8	N/S	COMPRESSION SPRING
9	N/S	HINGED BRACKET(A)
10	270 072754	HINGED BRACKET(B)
11	N/S	SHAFT
12	N/S	SPONGE HOLDER
13	270 077042	M4 PHILLIPS SCREW
14	N/S	INNER ATTACHMENT CASE
15	416475701	LINT BOX
16	416475901	FRONT COVER



<u>Pos</u>	<u>Part No</u>	<u>Description</u>
1	N/S	SPANNER
2	270 045773	CUSHION HOLDER
3	416476001	ACCESSORY SET
4	270 059455	EXTENSION PLATE
5	N/S	SEWING MACHINE OIL
6	416383901	NET
7	270 065650	CLEANING BRUSH
8	270 065811	LARGE SCREW DRIVER
9	270 072391	DETACHABLE INSERT PLATE
10	416015401	TWEEZERS
11	270 072706	TWO-THREAD CONVERTOR
12	270 072917	FOOT CONTROL
13	270 074793	SMALL SCREW DRIVER
14	270 079020	CAP
15	270 079089	UPPER KNIFE
16	270 079559	DUST COVER
17		NEEDLE SET
18	270 080120	ACCESSORY VINYL BAG
19	413297147	INSTRUCTION BOOK